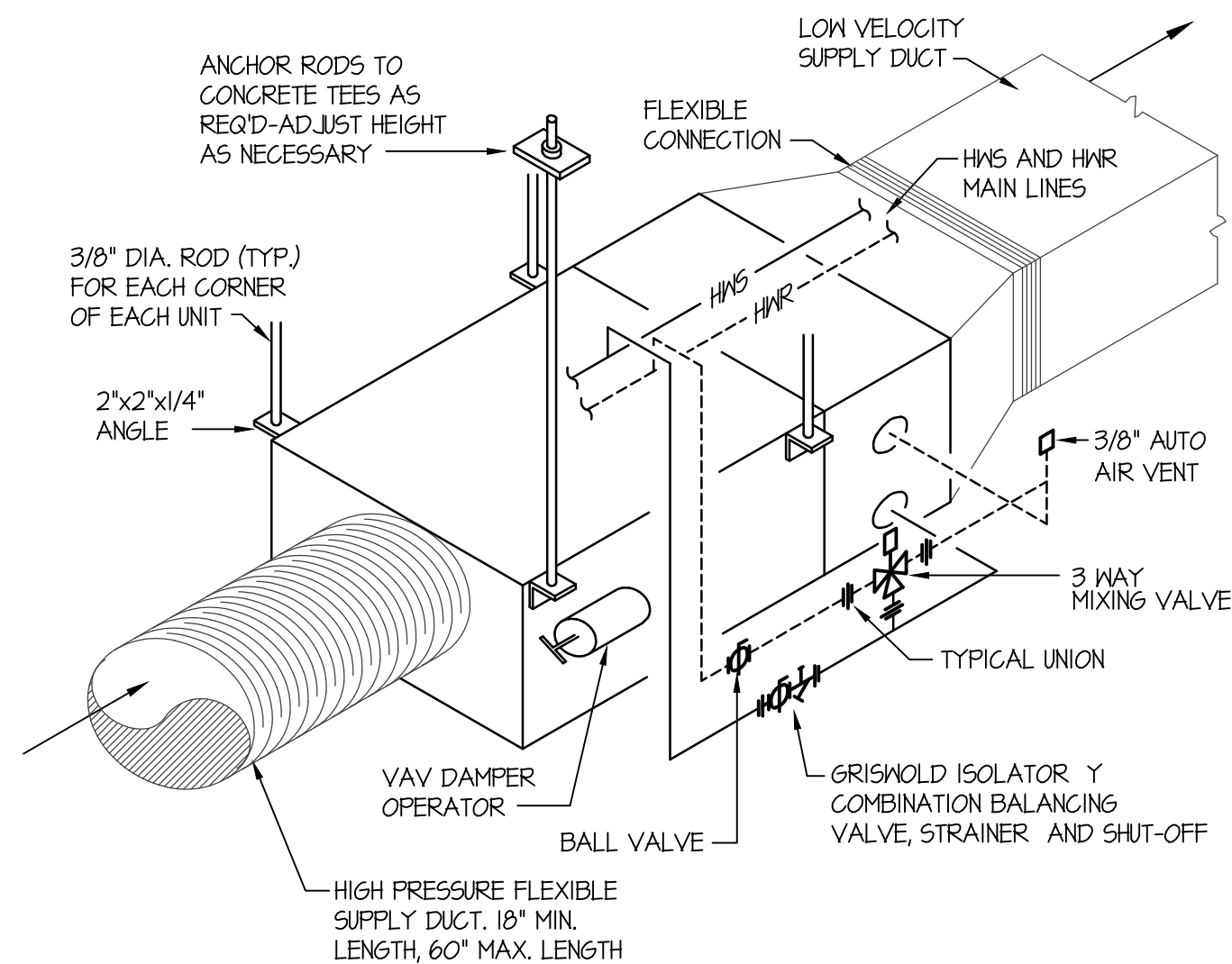


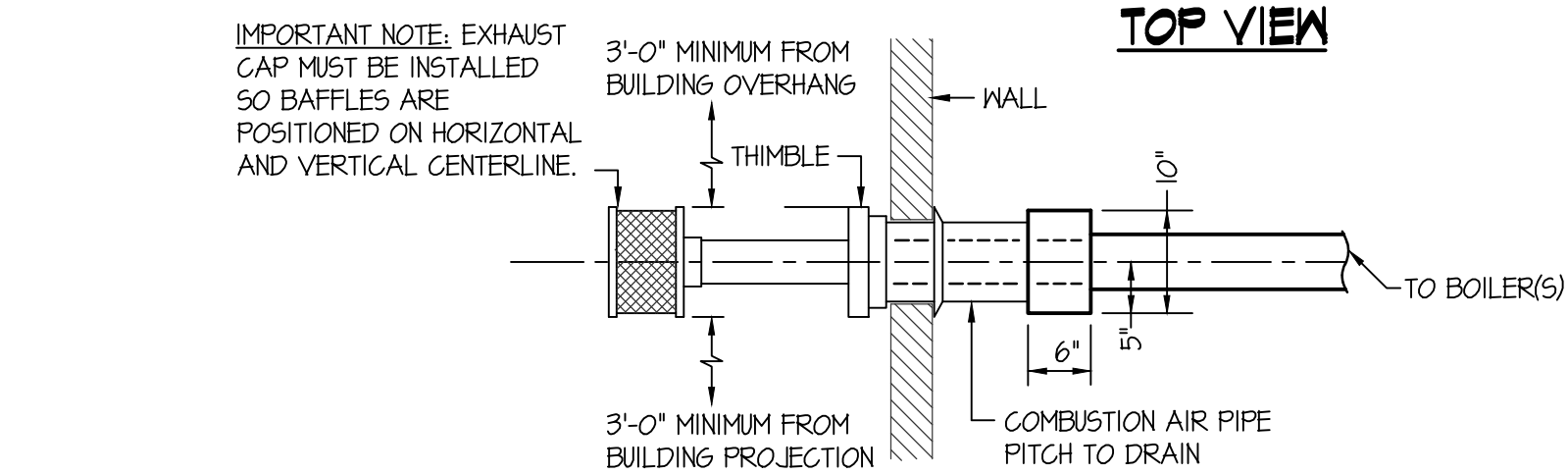
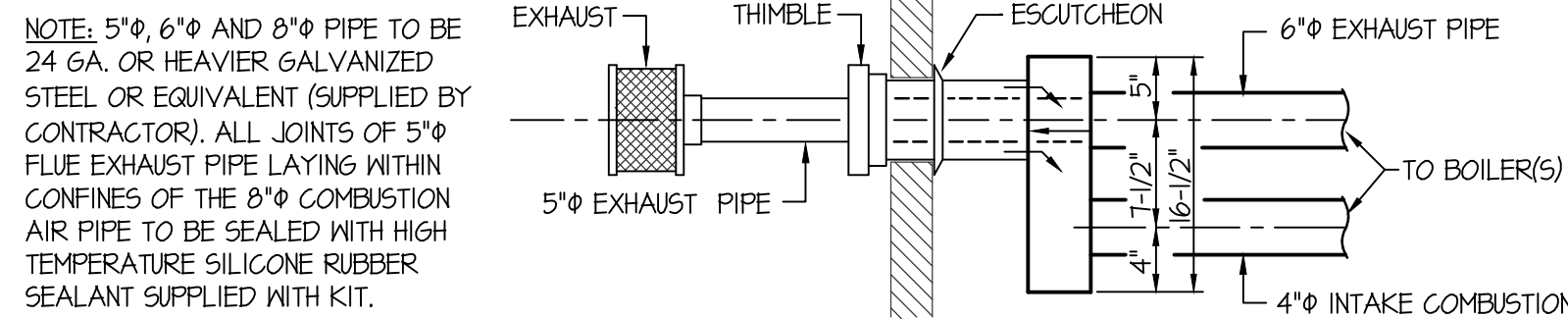
### V.A.V. REHEAT BOX (2-WAY VALVE) DETAIL

NO SCALE APPLIES TO ALL VOLUME BOXES UNLESS NOTED (SEE DETAIL BELOW)



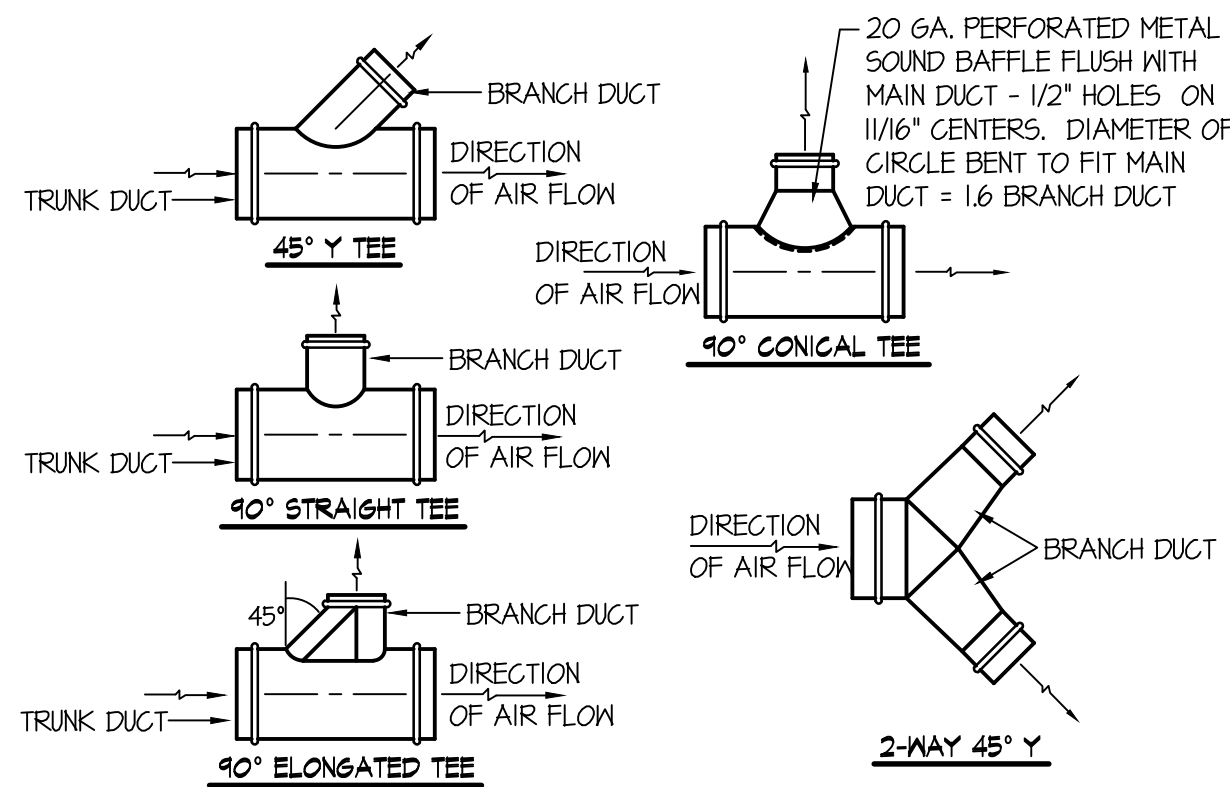
### V.A.V. REHEAT BOX (3-WAY VALVE) DETAIL

NO SCALE APPLIES ONLY FOR: VB 3/5/14/20/22/25/30/31/34



### SEPARATED COMBUSTION CONDENSING BOILER FLUE DETAIL

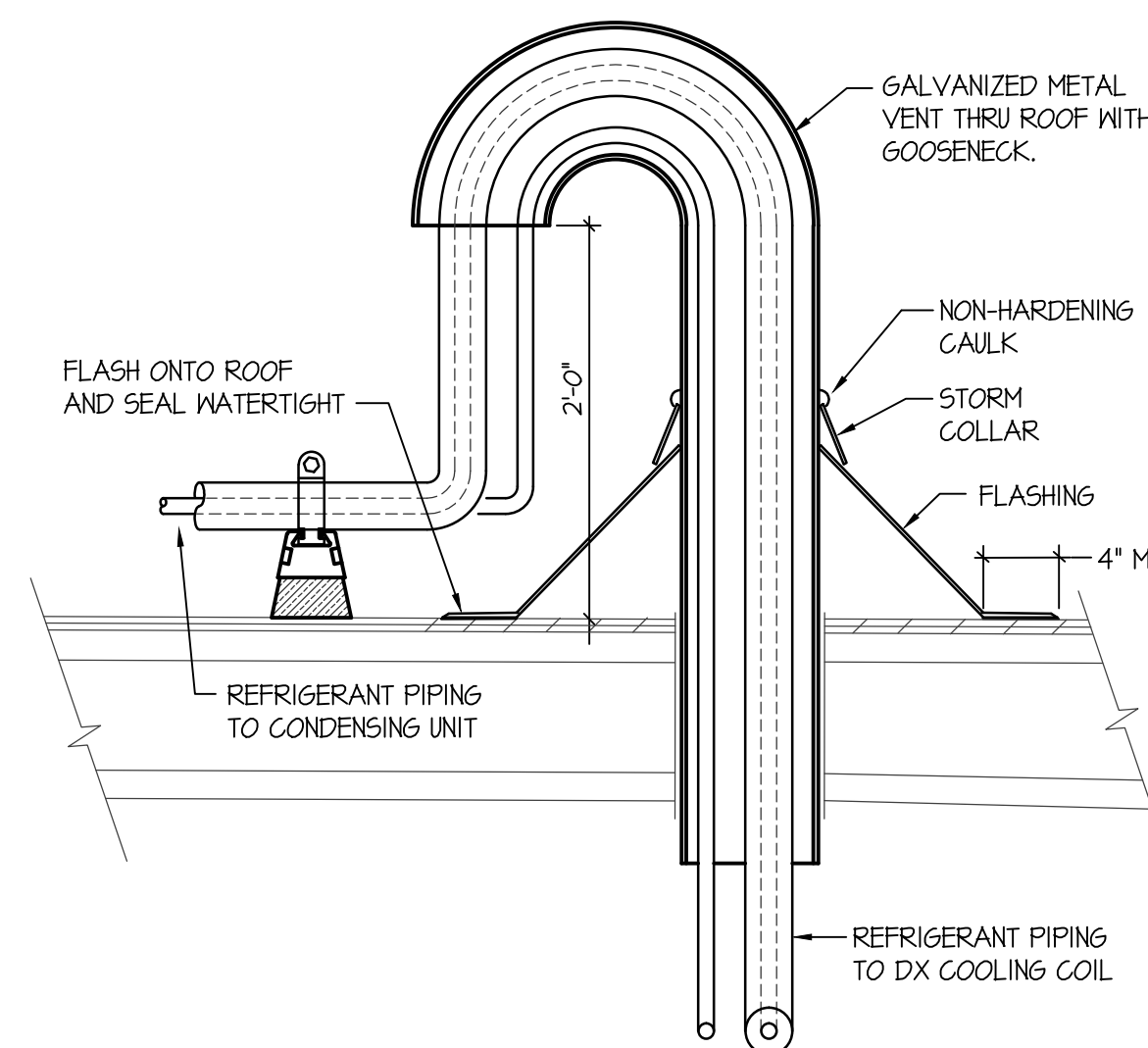
NO SCALE



### ROUND DUCT FITTING DETAILS

NO SCALE

GRILLE AND REGISTER SCHEDULE									
SYM.	TYPE	SIZE	CFM RANGE	THROW PATTERN	CONSTR.	FINISH	BALANCING DAMPER	FIRE DAMPER	REMARKS
D-1 CFM	CEILING	6x6	50-110	☒	STEEL	WHITE	NA	NA	PRICE MODEL SMD WITH BEVELED FRAME
D-2 CFM	CEILING	9x9	110-280	☒	STEEL	WHITE	NA	NA	PRICE MODEL SMD WITH BEVELED FRAME
D-3 CFM	CEILING	9x9	110-280	☒	STEEL	WHITE	NA	NA	PRICE MODEL SMD WITH BEVELED FRAME
D-4 CFM	CEILING	9x9	110-280	☒	STEEL	WHITE	NA	NA	PRICE MODEL SMD IN 24x24 LAY-IN MODULE
D-5 CFM	CEILING	9x9	110-280	☒	STEEL	WHITE	NA	NA	PRICE MODEL SMD IN 24x24 LAY-IN MODULE
D-6 CFM	CEILING	9x9	110-280	☒	STEEL	WHITE	NA	NA	PRICE MODEL SMD IN 24x24 LAY-IN MODULE
D-7 CFM	CEILING	12x12	215-450	☒	STEEL	WHITE	NA	NA	PRICE MODEL SMD IN 24x24 LAY-IN MODULE
GR-1 CFM	WALL	18x6	300	NA	STEEL	WHITE	NA	NA	PRICE MODEL 520D
FR-1 CFM	FLOOR	36x4	300	NA	ALUM.	ALUM.	YES	NA	PRICE MODEL LBP 25B
R-1	CEILING	10x10	100-300	NA	STEEL	WHITE	NA	NA	PRICE MODEL 535 IN 24x24 LAY-IN MODULE
R-2	CEILING	16x16	450-700	NA	STEEL	WHITE	NA	NA	PRICE MODEL 535 IN 24x24 LAY-IN MODULE
R-3	CEILING	20x20	700-1000	NA	STEEL	WHITE	NA	NA	PRICE MODEL 535 IN 24x24 LAY-IN MODULE
R-4	HIGH SIDEMALL	36x12	1000	NA	STEEL	WHITE	NA	NA	PRICE MODEL 535
R-5	CEILING	16x16	450-700	NA	STEEL	WHITE	NA	NA	PRICE MODEL 535

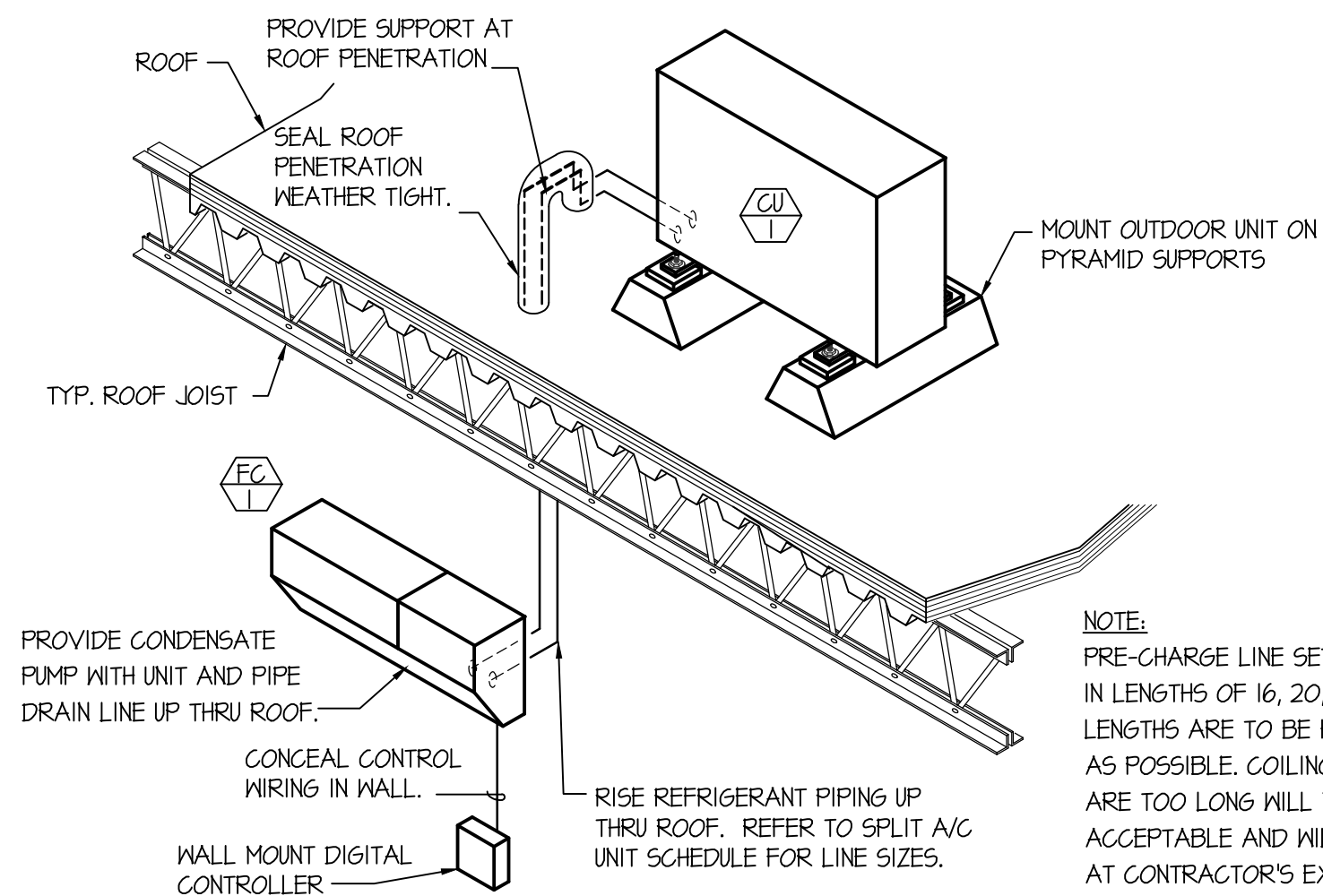


### PIPING THRU ROOF DETAIL

NO SCALE

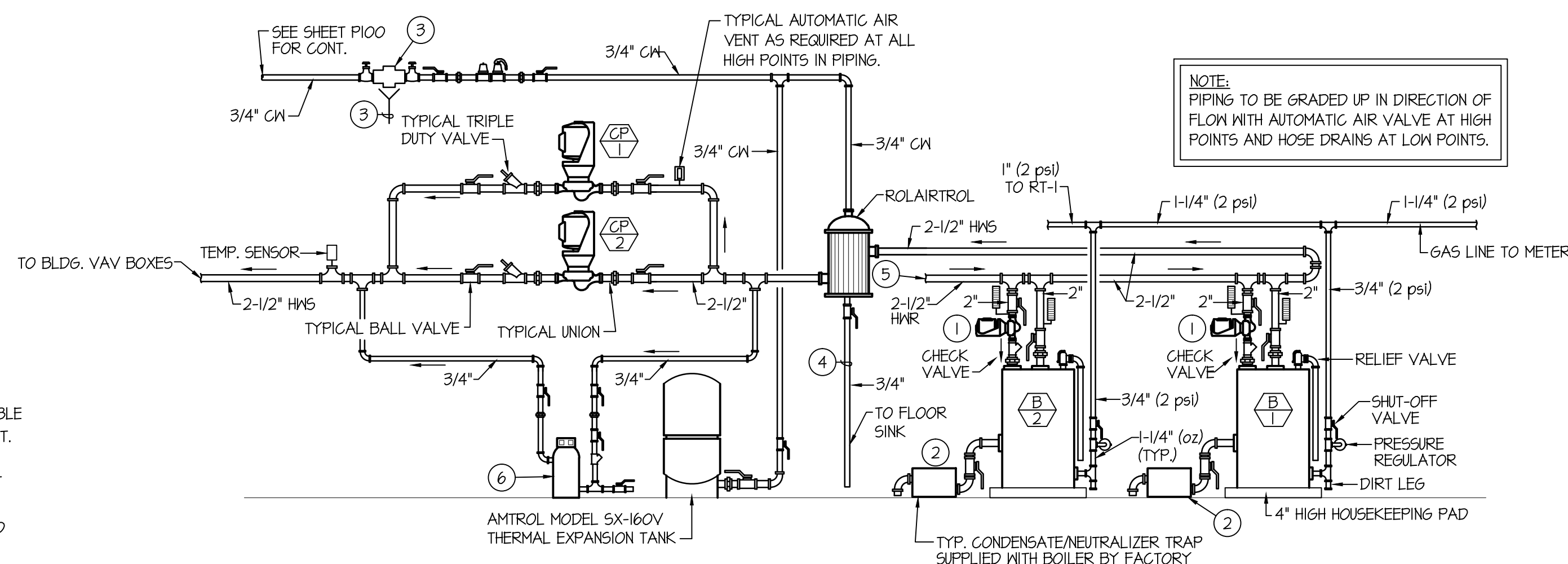
### PLAN NOTES:

- BOILER CIRCULATING PUMP TO BE FURNISHED BY THE FACTORY AND INSTALLED BY THE CONTRACTOR. CONTRACTOR TO ROUGH-IN AND CONNECT ALL PIPING AS SHOWN. INTERLOCK PUMP WITH BOILER OPERATION.
- CONDENSATE TRAP TO BE FURNISHED AS PART OF BOILER SYSTEM. CONNECT TRAP TO BOILER CONDENSATE LINE AND RUN DRAIN LINE FROM TRAP TO NEAREST FLOOR SINK COMPLETE WITH AIR GAP.
- 3/4" REDUCED PRESSURE BACKFLOW PREVENTOR ON 3/4" CW MAKE-UP LINE. RUN DRAIN TO FLOOR SINK AND TERMINATE WITH AIR GAP.
- RUN DRAIN LINE TO NEAREST FLOOR SINK AND TERMINATE WITH AIRGAP.
- 2-1/2" HOT WATER RETURN LINE FROM BUILDING VAV SYSTEM.
- PROVIDE AND INSTALL CHEMICAL FEED TANK WITH ALL ASSOCIATED VALVES AND PIPING AS SHOWN. SEE SPECIFICATIONS.



### FAN COIL & REFRIGERANT PIPING DETAIL

NO SCALE



### BOILER PIPING DIAGRAM

NO SCALE